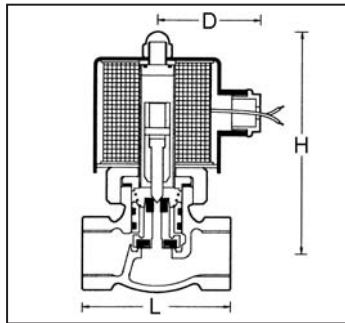


US Series. US-F Series

US Series

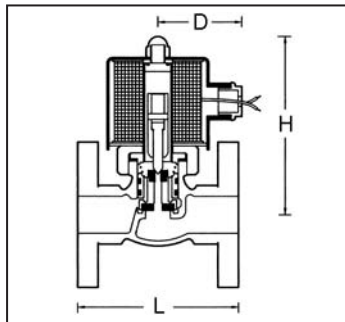


1. US series is multiplex-drive, piston guide ,conductive normal close.
2. Valve body made of cast bronze.
3. Standard voltage: 110VAC / 220VAC / 24VDC
4. Other special AC/DC can be made to client's order.
5. Screwed end: BSPT , NPT , BSP.
6. The standard product fluid temperature is 185°C(PTFE).
8. In special case ,US can made 20 kgf/ cm², 30kgf/cm² 40 kgf/cm² Please state the type of fluid with your order.
9. AC Voltage tolerance: ±10% .
DC Voltage tolerance: ± 1%.

| MATERAIL | |
|-------------|-------------------------|
| PARTS | MATERAIL |
| Body | Cast Bronze |
| Coil | Special Copper Wire (H) |
| Core Needle | Stainless Steel |
| Tube | Stainless Steel |
| Spring | Stainless Steel |
| Plug | PTFE + 15%GF |
| Bonne/Nut | PTFE |
| Piston | Brass |

| DIN | MODEL | PIPE SIZE | Cv | ORIFICE | FLUID TEMP. °C | MAX. OPERATING PRESSURE DIFF. KGf/CM ² | | | | DIMENSION(mm) | | | WEIGHT (kg) |
|-----|-------|-----------|-----|---------|----------------|---|--------|--------|-----------|---------------|-----|----|-------------|
| | | | | | | WATER | AIR | STEAM | HEAVY OIL | L | H | D | |
| | US-15 | 1/2" | 4.0 | 17 mm | -5°C ~ 185°C | 0.5-15 | 0.5-15 | 0.5-10 | 0.5-10 | 82 | 120 | 58 | 1.7 |
| | US-20 | 3/4" | 6.0 | 17 mm | -5°C ~ 185°C | 0.5-15 | 0.5-15 | 0.5-10 | 0.5-10 | 82 | 123 | 58 | 1.7 |
| | US-25 | 1" | 12 | 22 mm | -5°C ~ 185°C | 0.5-15 | 0.5-15 | 0.5-10 | 0.5-10 | 91 | 130 | 58 | 2.0 |
| | US-35 | 1 1/4" | 18 | 30 mm | -5°C ~ 185°C | 1-10 | 1-15 | 1-10 | 1-10 | 110 | 141 | 58 | 3.1 |
| | US-40 | 1 1/2" | 22 | 30 mm | -5°C ~ 185°C | 1-10 | 1-15 | 1-10 | 1-10 | 110 | 144 | 58 | 3.3 |
| | US-50 | 2" | 48 | 50 mm | -5°C ~ 185°C | 1-10 | 1-15 | 1-10 | 1-10 | 163 | 173 | 58 | 7.2 |

US-F Series



1. US-F series is multiplex-drive, piston guide , conductive normal close.
2. Valve body made of cast bronze.
3. Standard voltage: 110VAC / 220VAC / 24VDC
4. Other special AC/DC can be made to client's order.
5. Screwed end: BSPT, NPT , BSP.
6. The standard product fluid temperature is 185°C(PTFE).
7. In special case ,US can made 20 kgf/ cm², 30kgf/cm² 40 kgf/cm² Please state the type of fluid with your order.
8. AC Voltage tolerance: ±10% .
DC Voltage tolerance: ± 1%.

| MATERAIL | |
|-----------|-------------------------|
| PARTS | MATERAIL |
| Body | Cast Bronze |
| Coil | Special Copper Wire (H) |
| Core | Stainless Steel |
| Tube | Stainless Steel |
| Spring | Stainless Steel |
| Plug | PTFE |
| Bonne/Nut | PTFE + 15%GF |
| Piston | Brass |

| DIN | MODEL | PIPE SIZE | Cv | ORIFICE | FLUID TEMP. °C | MAX. OPERATING PRESSURE DIFF. KGf/CM ² | | | | DIMENSION(mm) | | | WEIGHT (kg) |
|-----|--------|-----------|-----|---------|----------------|---|--------|--------|-----------|---------------|-----|----|-------------|
| | | | | | | WATER | AIR | STEAM | HEAVY OIL | L | H | D | |
| | US-15F | 1/2" | 4.0 | 17 mm | -5°C ~ 185°C | 0.5-10 | 0.5-15 | 0.5-10 | 0.5-10 | 105 | 120 | 58 | 2.6 |
| | US-20F | 3/4" | 6.0 | 17 mm | -5°C ~ 185°C | 0.5-10 | 0.5-15 | 0.5-10 | 0.5-10 | 110 | 123 | 58 | 3 |
| | US-25F | 1" | 12 | 22 mm | -5°C ~ 185°C | 0.5-10 | 0.5-15 | 0.5-10 | 0.5-10 | 120 | 130 | 58 | 4.2 |
| | US-35F | 1 1/4" | 18 | 30 mm | -5°C ~ 185°C | 1-10 | 1-15 | 1-10 | 1-10 | 140 | 141 | 58 | 5.8 |
| | US-40F | 1 1/2" | 22 | 32 mm | -5°C ~ 185°C | 1-10 | 1-15 | 1-10 | 1-10 | 140 | 144 | 58 | 6.5 |
| | US-50F | 2" | 48 | 50 mm | -5°C ~ 185°C | 1-10 | 1-15 | 1-10 | 1-10 | 195 | 173 | 58 | 10.5 |

⚠ US.US-F Not for Fluid Of : 1. Liquid Status When Heat , Solid Status When Cool. 3. Corrosive Fluid
2. Viscosity Over 20 cst.