



UNITED BRASS WORKS, INC
 714 S. Main St.. Randleman, N.C. 27317
 Phone: 800/334-3035 Fax: 800/498-4696 www.ubw.com



Model 1001 Reducing Valve (Steam & Oil Applications)



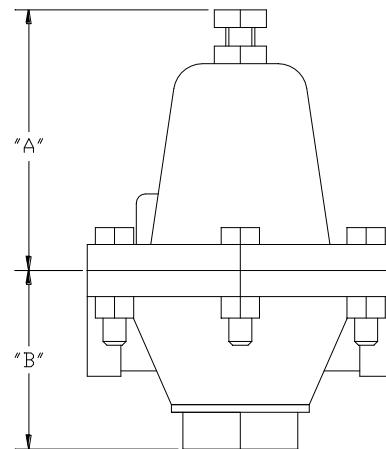
Max. Inlet Pressure – 200WSP
Max. Reduced Pressure – 150WSP *
2" Size only max reduced pressure – 125WSP

Specify Pressure Range:
0 – 45PSI or 20 – 150PSI

Bronze Piston & Cylinder
Bronze Diaphragm

Reducing Valve Replacement Parts

1011	Diaphragm
1013	Gasket
1016	Piston & Cylinder Assembly



Size	1/2"	3/4"	1"	1 1/4"	1 1/2"	2"
A	4.50	5.3	5.88	6.75	6.75	9.25
B	4.50	4.63	5.38	6.13	6.13	8.50
Ship Wgt. (lbs.)	7.50	9.00	12.00	18.00	18.00	40.00