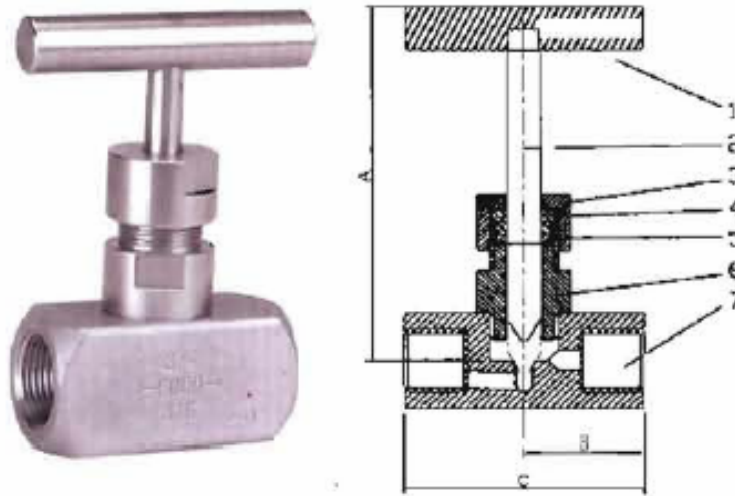


6000 PSI STAINLESS STEEL NEEDLE VALVE : Model ND-6000



MATERIAL

No	PARTS NAME	SPECIFICATION
1	HANDLE	SUS304
2	STEM	SUS316
3	GLAND NUT	SUS304
4	GLAND NUT	SUS304
5	PACKING	TEFLON
6	BONNET	SUS304
7	BODY	ASTM A-351 GR,CF8M

DIMENSIONS (mm)

SIZE	A	B	C	kg
1/8	75	22.5	45	0.32
1/4	75	22.5	45	0.32
3/8	78	29.5	59	0.45
1/2	87	32.5	65	0.5
3/4	90	35	70	0.95
1	103	40	80	2.2