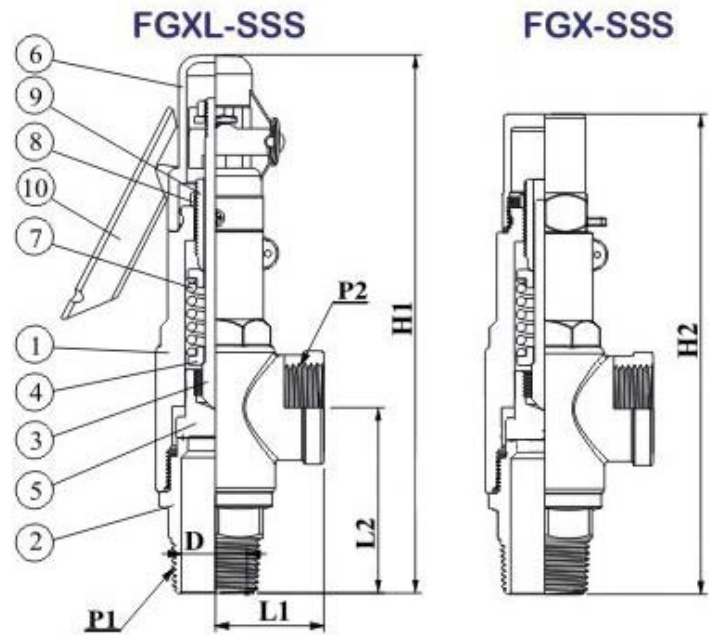


STAINLESS STEEL SAFETY RELIEF VALVE : Model FGX – SSS Model FGXL – SSS



General material

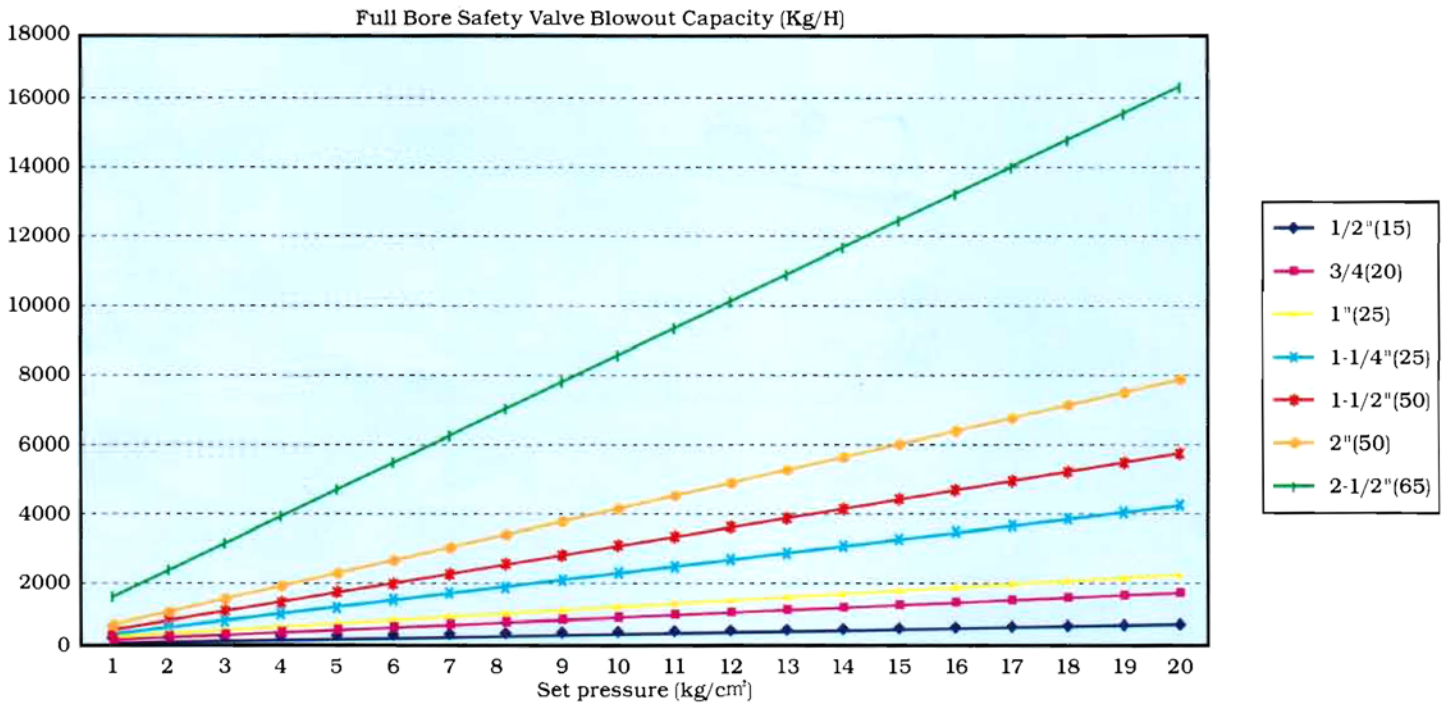
No.	NAME	FGXL-SSS	FGX-SSS
1	Valve Body	SS-316	SS-316
2	Valve Seat	SS-316	SS-316
3	Spindle	SS-304	SS-304
4	Spring Seat	SS-304	SS-304
5	Disc	SS-316	SS-316
6	Cap	SS-304	SS-304
7	Spring	SS-304	SS-304
8	Nut	SS-304	SS-304
9	Adjust Screw	SS-304	SS-304
10	Handle	SS-304	-

Working Pressure : 0.1 – 110 kg/cm²
Working Temp. : - 196°C – 350°C
Working Fluid : Non Corrosive Gas
 Corrosive Gas
 Super Steam
 Steam
 Hot Water
 Non Corrosive Liquid
 Corrosive Liquid

Dimension (mm)

P1 Inlet	P2 Outlet	D	L1	L2	H1	H2	FGXL-SSS	FGX-SSS
							Weight(kg)	
1/2"	1"	15	41	66	200	179	1.376	1.266
3/4"	1"	20	41	65	199	177	1.354	1.244
1"	1"	21	41	71	205	183	1.348	1.238
1-1/4"	2"	33	65	101	285	261	5.384	5.212
1-1/2"	2"	39	65	101	285	261	5.23	5.058
2"	2"	39	65	104	288	265	5.398	5.226

Curve Drawing



(kg/hr) Full Bore SAFETY Blowout Capacity

set press Kg	Steam Kg/hr						
	1/2"(15)	3/4"(20)	1"(25)	1-1/4"(32)	1-1/2"(40)	2"(50)	2-1/2"(65)
1	76	143	268	435	664	920	1530
2	116	216	346	600	807	1387	2306
3	156	288	463	802	1079	1854	3083
4	195	361	580	1004	1351	2321	3859
5	235	434	696	1206	1623	2778	4636
6	275	507	813	1409	1895	3255	5412
7	315	579	930	1611	2167	3722	6189
8	354	652	1047	1813	2439	4189	6965
9	394	725	1163	2015	2711	4656	7742
10	434	798	1280	2217	2983	5123	8518
11	475	870	1397	2419	3255	5590	9295
12	525	943	1513	2621	3527	6057	10018
13	546	1016	1631	2825	4025	6958	11085
14	586	1090	1749	3028	4074	6995	11624
15	625	1163	1866	3230	4346	7462	12401
16	664	1236	1983	3432	4681	7929	13117
17	704	1309	2100	3634	4890	8396	13954
18	743	1382	2216	3836	5162	8864	14730
19	782	1454	2333	4039	5434	9331	15507
20	821	1527	2500	4241	5706	9798	16283

set press Kg	L/MIN						
	1/2"(15)	3/4"(20)	1"(25)	1-1/4"(32)	1-1/2"(40)	2"(50)	2-1/2"(65)
1	21	33	60	97	141	234	316
2	29	46	85	138	199	331	447
3	36	57	104	169	244	405	547
4	42	66	120	195	282	468	632
5	47	74	134	218	315	523	706
6	51	81	147	239	345	573	774
7	55	87	159	258	373	619	836
8	59	93	170	276	398	662	894
9	63	99	180	293	423	702	948
10	66	105	190	308	445	740	999
11	70	111	200	323	463	778	1050
12	76	120	215	340	485	815	1105
13	82	129	230	365	512	835	1198