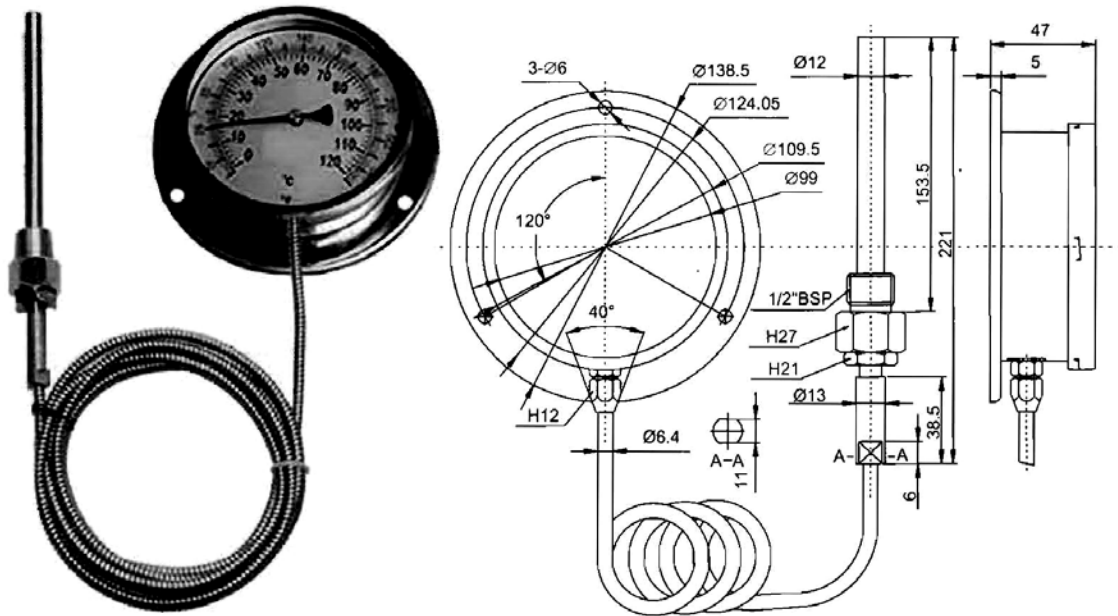


REMOTE READING THERMOMETER



Specification

- Case: AISI 304 SS
- Lens: Glass
- Bezel: AISI 304 SS, hermetically sealed
- Movement: Bi-Metallic Coil
- Stem: AISI 304 SS, L = 3M
- Accuracy: +/- 1.5% Full Scale