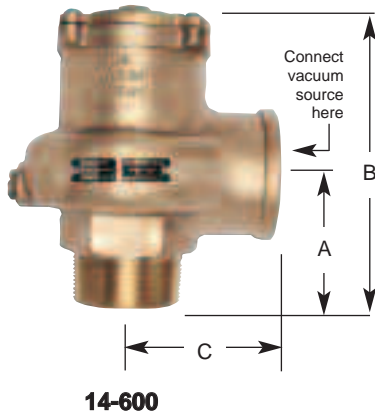




14-600 Series Vacuum Relief Valves

High flow vacuum relief valves feature one piece cast bronze bodies, Teflon coated discs and elastomer soft seating provide accurate and dependable operation.

Connection sizes 2", 2 1/2" and 3"
Relief settings 8" to 30" Hg @ 400°F max.



Applications

- High volume vacuum systems
- Bulk hauling tanks and trailers
- Powdered solids / bulk handling
- Pneumatic conveying equipment

Features

- Weather resistant construction
- Elastomer soft seat is vibration resistant
- Stainless steel spring
- One piece unified bronze body design
- High capacity "top-guided" design
- TFE / chrome plated internals

Vacuum Air Relief Capacity

See page 19

Dimensions and Weights

Model Number	Size (in./mm.)	Dimensions(in./mm.)			Wt./Ea (lbs./kg.)
		A	B	C	
14-605	2 x 2 50M x 50F	3 76	6-1/2 165	3-1/8 79	8.4 3.81
14-606	2-1/2 x 2-1/2 65M x 65F	3-1/2 89	7-5/8 194	3-1/2 89	11.8 5.4
14-607	3 x 3 80M x 80F	4-1/8 105	8-3/4 222	3-7/8 98	16.3 7.4

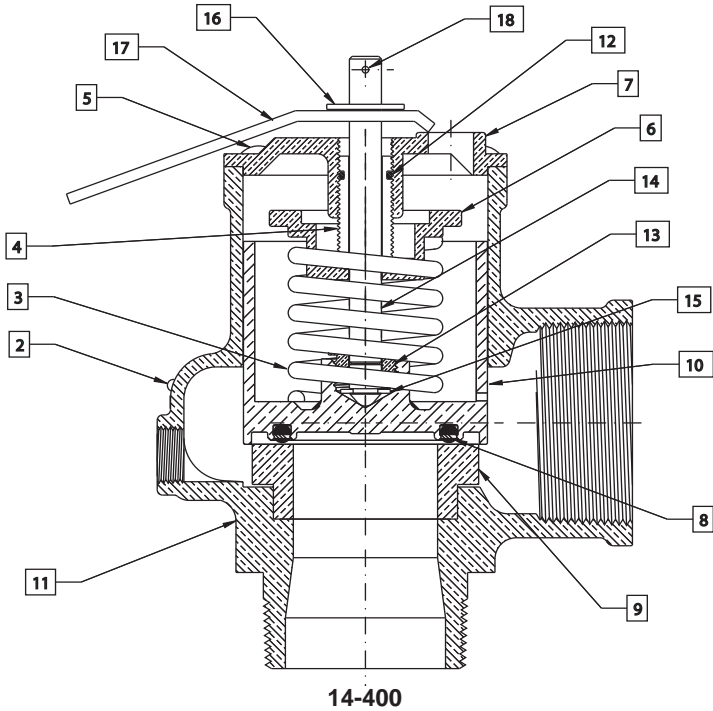
Model Numbering System 14-600 Series Vacuum Relief Valves

14	6	05	V12
Series Number	Body / Cap Style and Service	Inlet Connection	Relief Pressure
14 Base Model No.	6 = Vacuum Relief	05 = 2 NPT 06 = 2 1/2" NPT 07 = 3" NPT	Vacuum Relief Setting, Hg "V" Prefix + Inches Mercury ("V" + 2 Digits)

EXAMPLES:

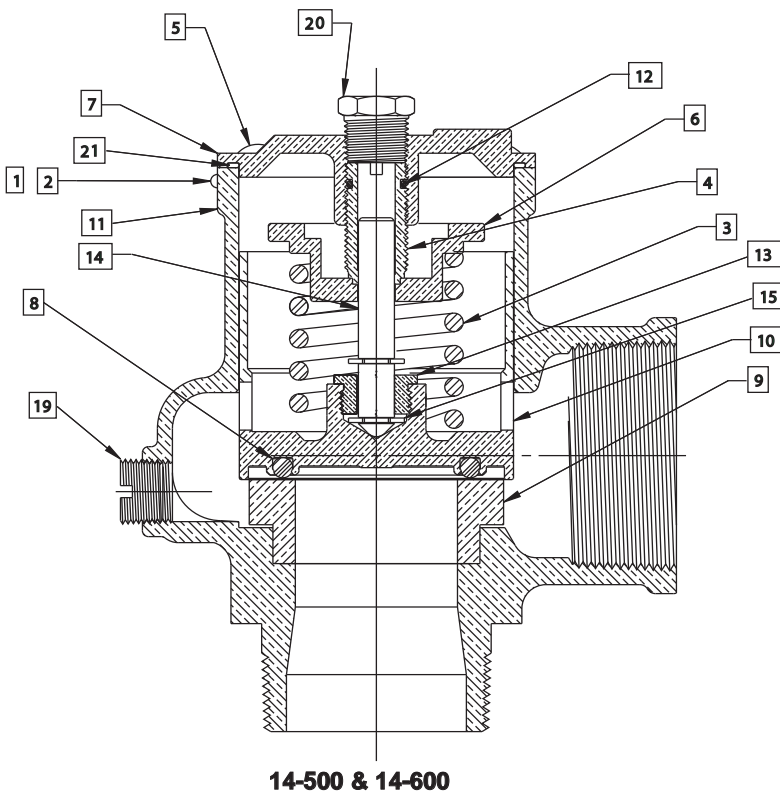
14-607-V14
3" Vacuum relief valve set at 14 Hg"

14-400, 14-500 and 14-600 Series Low Pressure Air and Vacuum Relief Valves



14-400, 14-500, 14-600 Materials

Item	Component	Material
1	NAMEPLATE	ALUMINUM
2	DRIVESCREWS (2)	STEEL (PLATED)
3	SPRING	STAINLESS STEEL
4	ADJUSTING SCREW	BRASS ASTM B-16
5	CAP SCREW (4)	STEEL (PLATED)
6	SPRING WASHER	BRASS ASTM B-16
7	CAP	BRONZE ASTM B-584
8	SEAT O-RING	SILICONE
9	SEAT INSERT	BRASS ASTM B-16
10	DISC	BRONZE ASTM B-584
11	BODY	BRONZE ASTM B-584
12	FRICTION RING	EPDM
13	STEM NUT	BRASS ASTM B-16
14	STEM	BRASS ASTM B-16
15	RETAINING RING	STEEL (PLATED)
16	LIFT WASHER	STEEL (PLATED)
17	LIFT LEVER	STEEL (PLATED)
18	ROLL PIN	STEEL (PLATED)
19	PLUG	BRASS ASTM B-16
20	PLUG	BRASS ASTM B-16
21	CAP SEAL O-RING	SILICONE



MODEL 14-400 and 14-500 Air Relief Valves

NON-CODE AIR RELIEF CAPACITIES

STANDARD CUBIC FEET PER MINUTE (NORMALIZED CUBIC METERS PER HOUR)
OF AIR AT 10% OVERPRESSURE

Ordering Suffix	U.S. Customary Units SCFM Air				Metric Units Nm ³ /hr. Air			
	Model No.	14-405	14-406	14-407	Model No.	14-405	14-406	14-407
	Size, (in.)	2 x 2	2 1/2 x 2 1/2	3 x 3	Size, (mm.)	50 x 50	65 x 65	80 x 80
	Area (in. ²)	2.238	3.339	5.155	Area (cm. ²)	14.438	21.544	33.259
	PSIG				barg			
-04	4	615	914	1338	.28	988	1469	2151
-05	5	651	967	1415	.34	1046	1554	2275
-06	6	687	1020	1492	.41	1104	1639	2398
-07	7	722	1072	1569	.48	1161	1724	2522
-08	8	758	1125	1646	.55	1218	1809	2646
-09	9	793	1178	1723	.62	1275	1893	2770
-10	10	829	1231	1801	.69	1332	1978	2894
-11	11	864	1283	1878	.76	1389	2063	3018
-12	12	900	1336	1955	.83	1446	2147	3142
-13	13	935	1389	2032	.90	1503	2232	3266
-14	14	971	1441	2109	.97	1560	2317	3390
-15	15	1006	1494	2186	1.03	1617	2402	3514
-16	16	1041	1547	2263	1.10	1673	2487	3638
-17	17	1076	1600	2340	1.17	1730	2572	3761
-18	18	1111	1653	2417	1.24	1786	2657	3885
-19	19	1146	1706	2494	1.31	1842	2742	4009
-20	20	1181	1756	2571	1.38	1899	2823	4133
-21	21	1216	1809	2648	1.45	1955	2907	4257
-22	22	1252	1861	2725	1.52	2012	2992	4381

Model 14-600 Vacuum Air Relief Capacity

Standard cubic feet per minute (normalized cubic meters per hour) of air.

Ordering Suffix	U.S. Customary Units SCFM Air				Metric Units Nm ³ /hr. Air			
	Model No.	14-605	14-606	14-607	Model No.	14-605	14-606	14-607
	Size, (in.)	2 x 2	2 1/2 x 2 1/2	3 x 3	Size, (in.)	50 x 50	65 x 65	80 x 80
	Area (in. ²)	2.238	3.339	5.155	Area (cm. ²)	14.438	21.544	33.259
	Relief Setting (in. Hg)				Relief Setting (mm. Hg)			
V08	8	395	600	865	203	635	964	1390
V09	9	405	618	890	229	651	993	1431
V10	10	415	635	915	254	667	1021	1471
V11	11	421	642	927	279	676	1021	1471
V12	12	426	649	939	305	685	1043	1509
V13	13	430	653	943	330	691	1050	1516
V14	14	430	653	943	356	691	1050	1516
V15	15	430	653	943	381	691	1050	1516
V20	20	430	653	943	508	691	1050	1516
V25	25	430	653	943	635	691	1050	1516
V30	30	430	653	943	762	691	1050	1516