



80-100 Series Bronze LP-Gas Ball Valve



Threaded, 600 psig WOG, Cold Non-Shock. 250 psig LP-Gas.
 150 psig Saturated Steam. Vacuum Service to 29 inches Hg.
 Federal Specification: WW-V-35C, Type: II, Composition: BZ, Style: 3.
 MSS SP-110; Ball Valves Threaded, Socket-Welding, Solder Joint, Grooved and Flared Ends.

FEATURES

- UL Listed for LP-Gas, natural gas, flammable liquid and heated oil
- Large ports to reduce pressure drop
- Reinforced seats
- Blow-out-proof stem design
- Adjustable packing gland
- Two piece bronze body
- Quarter turn On-Off

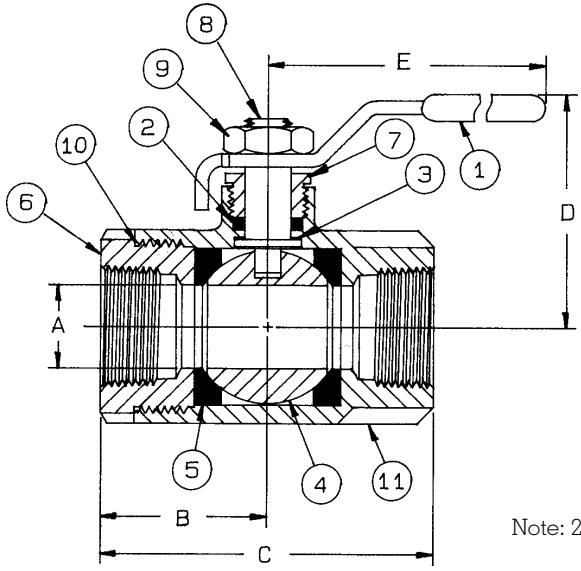


UL LISTINGS

- Guide YSDT: LP-Gas shut-off valve.
- Guide YRPV: Gas shut-off valve for use with natural and manufactured gases.
- Guide YRBX: Flammable liquid shutoff valve.
- Guide MHKZ: No. 6 oil at 250°F.

STANDARD MATERIAL LIST

- | | | | |
|-------------------|----------------------------|--------------|---------------------|
| 1. Lever and grip | Steel, zinc plated w/vinyl | 6. Retainer | B16 or B584-C84400 |
| 2. Stem packing | RPTFE | 7. Gland nut | B16 |
| 3. Stem bearing | RPTFE | 8. Stem | B16 |
| 4. Ball | B16, chrome plated | 9. Lever nut | Steel, zinc plated |
| 5. Seat (2) | RPTFE | 10. Seal | PTFE (1-1/4" to 3") |
| | | 11. Body | B584-C84400 |



Note: 250 psig Max. UL Listing.

OPTIONS AVAILABLE:

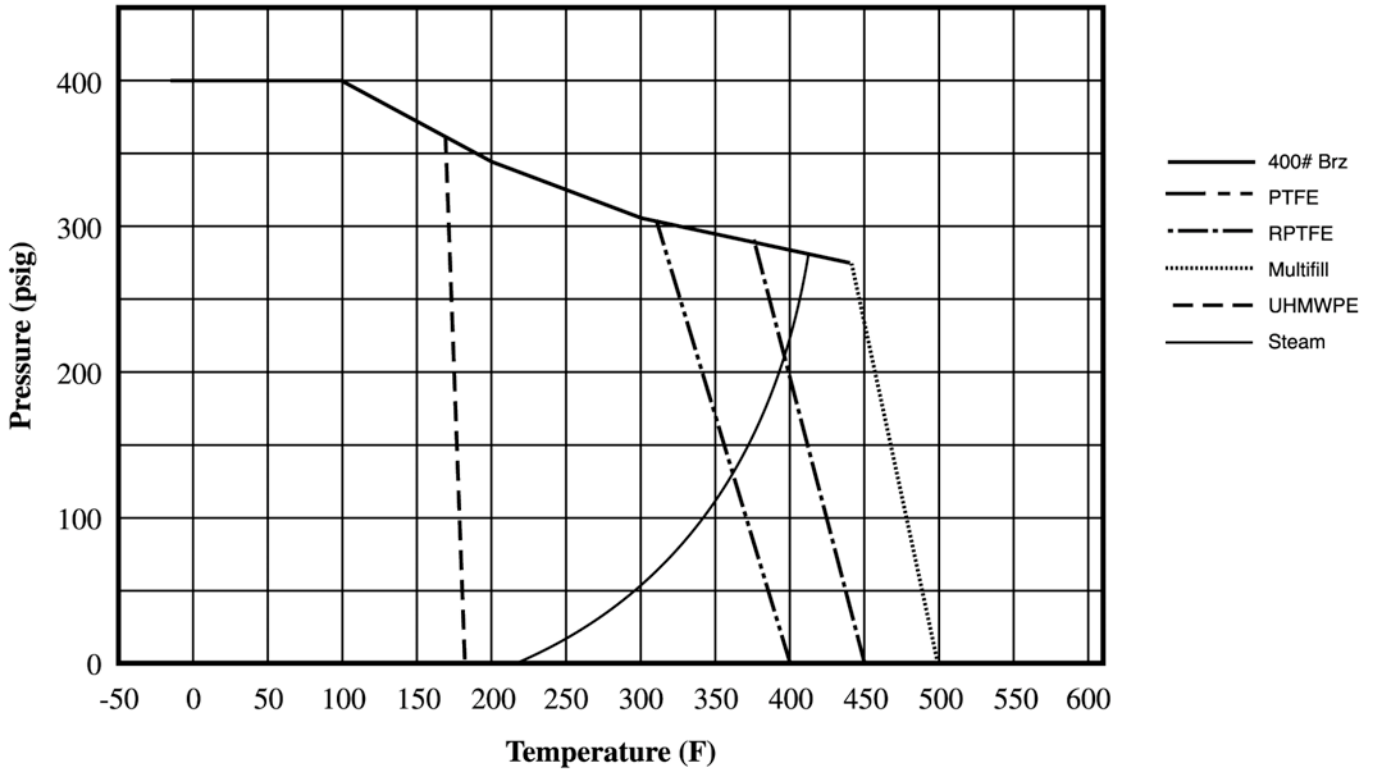
(SUFFIX)	OPTION	SIZES
-27-	SS Latch-Lock Lever & Nut	1/4" to 3"

BRONZE LP-GAS BALL VALVE

NUMBER	SIZE	A	B	C	D	E	Wt.
80-101-01	1/4"	.37	1.03	2.06	1.75	3.87	.60
80-102-01	3/8"	.37	1.03	2.06	1.75	3.87	.56
80-103-01	1/2"	.50	1.12	2.25	1.81	3.87	.63
80-104-01	3/4"	.68	1.50	3.00	2.12	4.87	1.39
80-105-01	1"	.87	1.68	3.37	2.25	4.87	1.72
80-106-01	1-1/4"	1.00	2.00	4.00	2.62	5.50	3.26
80-107-01	1-1/2"	1.25	2.18	4.37	2.87	5.50	4.57
80-108-01	2"	1.50	2.34	4.68	3.06	5.50	5.56
80-109-01	2-1/2"	2.50	3.25	6.50	4.12	8.00	17.25
80-100-01	3"	2.50	3.37	6.75	4.12	8.00	18.60

For Pressure/Temperature Ratings,
Refer to Page M-8, Graph No. 4

400# Bronze P-T Rating (Graph 3)



600# Bronze P-T Rating (Graph 4)

