



Model MVC

Thermostatic High Capacity Mixing Valves (34C Series)

Job Name:	Contractor:
Job Location:	P.O. Number:
Engineer:	Representative:
Tag:	Wholesale Distributor:

DESCRIPTION

The Apollo® Model MVC (34C Series) are ASSE 1017 approved thermostatic mixing valves designed for high capacity commercial and institutional “point of source” applications. Featuring ease of maintenance and “Best in Class” flow rates, they provide reliable temperature control for large hot water distribution and hydronic heating systems. Patent # US 6,328,219.

FEATURES

- Temp range 90°F-140°F (130° - 180°F optional)
- Sizes ¾”, 1”, 1-¼”, 1-½”, 2” FNPT
- Patented “finger grip” pads for easy inline shuttle maintenance.
- Made in USA – ARRA Compliant

OPTIONS

Temperature Range: 90-140°F (01) 130-180°F (H1)

Size: ¾” 1” 1-1/4” 1-1/2” 2”

ORDER NUMBER

(Standard Temperature)

Model Number	Order Number	Size
MVC-34	34C10401	¾” FNPT
MVC-1	34C10501	1” FNPT
MVC-114	34C10601	1-1/4” FNPT
MVC-112	34C10701	1-1/2” FNPT
MVC-2	34C10801	2” FNPT



APPROVALS

- ASSE 1017 - Temperature Actuated Mixing Valves for Hot Water Distribution Systems”
- CSA B125.3-05 “Plumbing Fittings”



MATERIALS

Body	Bronze ASTM B584 C84400
Thermostat	Copper / Wax Filled
Shuttle Cartridge	Glass filled Noryl
Stem	Brass ASTM B16 C36000
Retainer	Brass ASTM B16 C36000
Spring	Stainless Steel

Conbraco Industries, Inc. 701 Matthews Mint Hill Rd. Matthews NC 28106 USA; www.Apollovalves.com ; 704-841-6000

This specification is provided for reference only. Conbraco reserves the right to change any portion of this specification without notice and without incurring obligation to make such changes to Conbraco products previously or subsequently sold.



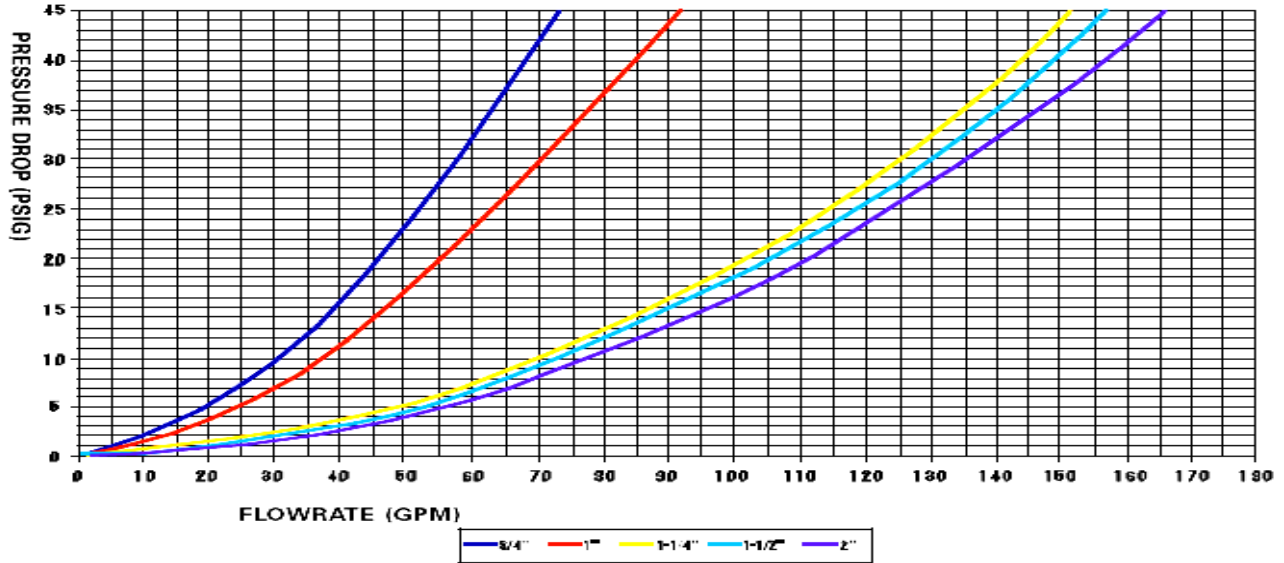
Model MVC

Thermostatic High Capacity Mixing Valves (34C Series)

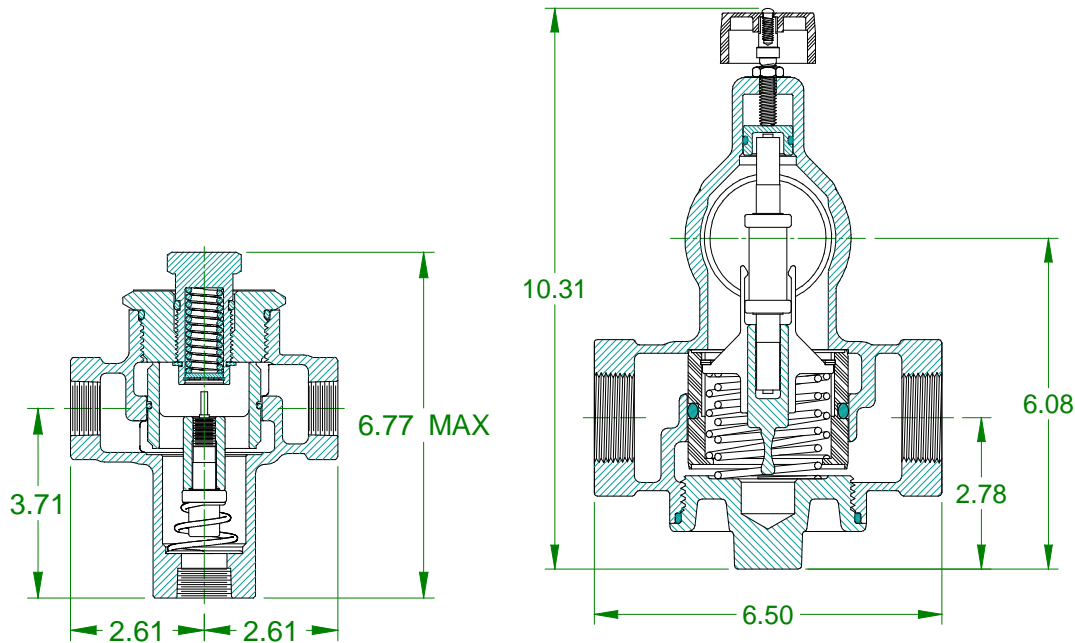
PERFORMANCE RATING

Minimum Flow Rate: 1.0 GPM *
 Maximum Pressure: 150 psig
 Maximum Temperature: 200°F

* - when the valve is installed at or near hot water source w/ recirculated tempered water with a continuously operating pump.



DIMENSIONS



Conbraco Industries, Inc. 701 Matthews Mint Hill Rd. Matthews NC 28106 USA; www.Apollovalves.com ; 704-841-6000

This specification is provided for reference only. Conbraco reserves the right to change any portion of this specification without notice and without incurring obligation to make such changes to Conbraco products previously or subsequently sold.



Model MVC

Thermostatic High Capacity Mixing Valves (34C Series)

Conbraco Industries, Inc. 701 Matthews Mint Hill Rd. Matthews NC 28106 USA; www.Apollovalves.com ; 704-841-6000

This specification is provided for reference only. Conbraco reserves the right to change any portion of this specification without notice and without incurring obligation to make such changes to Conbraco products previously or subsequently sold.