

INTERMITTENT BLOWDOWN VALVES VPA 26 (Fabricated steel)

DESCRIPTION

The VPA26 blowdown valve was specially designed for application on steam boilers removing the concentrations of solids avoiding boiler damages, unstable water level control and other typical problems.

The valves are provided with a diaphragm actuator suitable for compressed air motive fluid.

The opening signal is supplied by an automatic intermittent control unit or manually (optional).

Connections are flanged or threaded on request.

OPERATION

The valve can be operated manually or using a pneumatic actuator. Valve aperture depends from the boiler manufacturer specification (example: once a day during five seconds).

MAIN FEATURES

High quality hardened valve and seat.

Manual or automatic control.

Can be locked in the open position if supplied with the manual operation lever.



OPTIONS: Air filter regulator
Solenoid valve with cycling timer .
Mechanical limit switch
Water powered actuator
Stainless steel construction.

USE: Intermittent blowdown of steam boilers.

AVAILABLE

→ **MODELS:** VPA 26

VALVE SIZES: DN20 to DN50 ; DN 3/4" to DN2"

CONNECTIONS: Flanged EN 1092-1 or ANSI

ACTUATORS: PA-205; PA-280.

ACTUATOR CONN: 1/4" NPT-F

HOW TO SELECT: Never size the valve according to the pipe diameter in which it has to be fitted but according to the required actual flow of steam or water. Refer to valve calculation data sheet or consult the factory.

VALVE BODY LIMITING CONDITIONS VPA26	
ALLOWABLE PRESSURES	RELATED TEMPERATURE
40 bar	-10 /50° C
33,3 bar	200 °C
30,4 bar	250 °C
27,6 bar	300 °C

MAX. AIR/WATER SUPPLY PRESS.: 3,5 bar

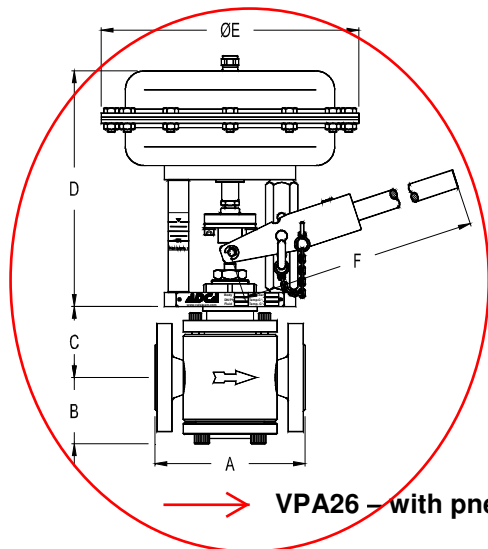
AMBIENT TEMPERATURE: -20°C ...+70°C

STEM SEALING: Graphite - up to 300°C

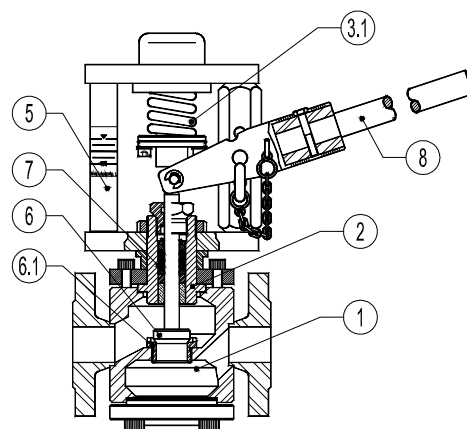
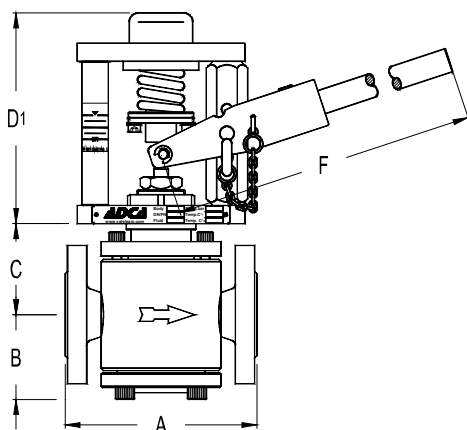
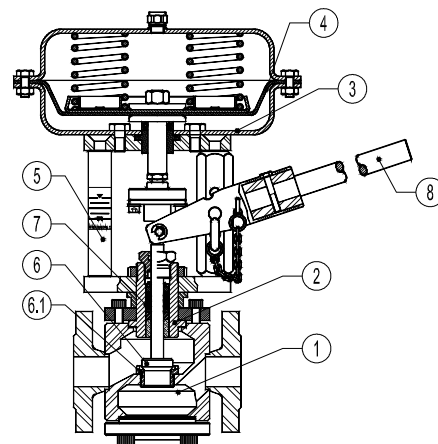
PLUG CHARACTERISTIC: PT - On-off

PORT: Full port or reduced on request

CE MARKING (PED - European Directive 97/23/EC)	
PN 40	Category
DN20 to DN32	SEP - art. 3, paragraph3
DN40 to DN50	1 (CE Marked)



→ VPA26 – with pneumatic actuator and manual operation


VPA26 – manual operation only
DIMENSIONS (mm) - VALVE BODY EN FLANGES

DN	A PN40	A PN63	B	C	D1	F	* WGT. Kgs	**WGT Kgs
20	150	/	71	75	175	490	22	19
25	160	190	71	75	175	490	22	19
32	180	/	75	83	175	490	26	23
40	200	220	82	97	175	640	30	28
50	230	250	97	100	175	640	40	38

DIMENSIONS (mm) - VALVE BODY ANSI FLANGES

DN	A ANSI 150	A ANSI 300	B	C	D1	F	* WGT. Kgs	**WGT Kgs
3/4"	150	150	71	75	175	490	22	19
1"	160	160	71	75	175	490	22	19
1 1/4"	180	180	75	83	175	490	26	23
1 1/2"	230	230	82	97	175	640	30	28
2"	230	230	97	100	175	640	40	38

* Valve with pneumatic actuator ; ** Valve with manual lever only
 Consult factory for certified dimensions
 Some face to face dimensions are not standard, due to market trend.
 Other dimensions under request.

MATERIALS

POS.	DESIGNATION	MATERIAL
1	Valve Body	Steel S355J2G3 / 1.0570
2	Bonnet	CF8 / 1.4308
3	* Actuator	Steel Fe410.1/St.Steel
3.1	* Spring	Spring Steel
4	* Diaphragm	NBR 70
5	Yoke	Carbon Steel/St.Steel
6	* Valve Plug	Hardened St. Steel
6.1	* Valve Seat	Hardened St. Steel
7	Packing	Graphite
8	Valve Lever	Stainless steel / 1.4301

* Available spare parts.

DIMENSIONS - ACTUATOR

Type	ø E (mm)	D (mm)	
		DN15-100 DA/RA	DN125-200 DA
PA-205	210	235	N/A
PA-280	275	240	N/A

FLOW RATE COEFFICIENTS					
	DN20	DN25	DN32	DN40	DN50
Kvs	6	9,4	15,4	24	30

Kvs in m3/h, see data sheet IS PV10.00 E;
For conversion $Kvs = Cv(US) \times 0,855$

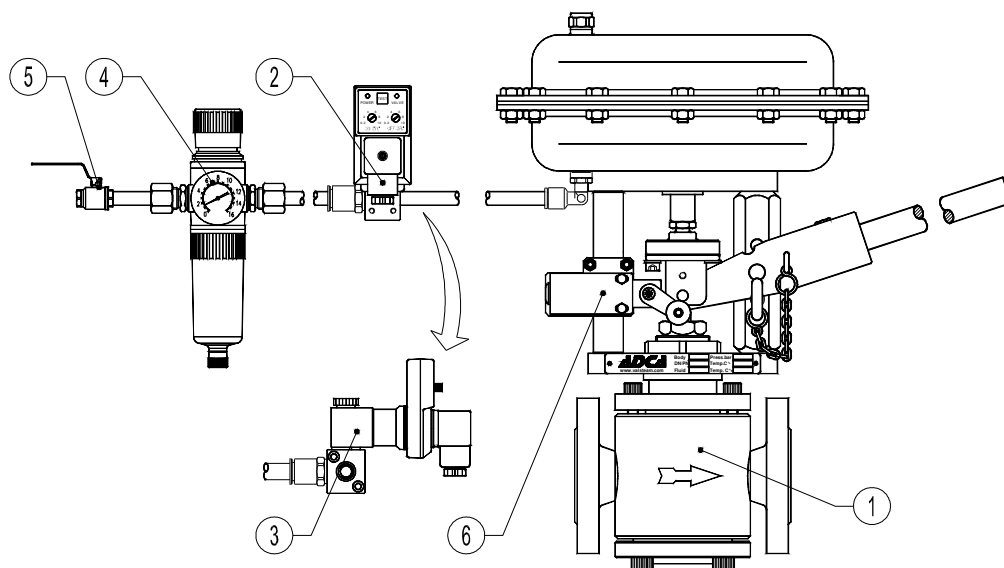
VALVE STROKE IN mm					
	DN20	DN25	DN32	DN40	DN50
Stroke	12	12	12	12	12

MAX. PERMISSIBLE PRESS.DROP IN bar - Normally closed valve (fluid to close) - Reverse action actuator (air signal to open)						
ACTUATOR (Pressure)	MIN. AIR PRESSURE					
		DN20	DN25	DN32	DN40	DN50
PA-205 (0 - 1 bar)	3,5 bar	25	25	25	25	15
PA-280 (0 - 1 bar)	3,5 bar	—	—	—	—	25

Important:

The pressure drop values are referred to closed valves.
For valve sizes DN65 and above please consult.
Special spring drops available on request.
The pressure drop values must be used within the body rating limits.

TYPICAL INSTALLATION



Position	Designation
1	VPA26 Blowdown Valve
2	ADCA Digital Timer plus Connector
3	ADCA Solenoid Valve 3/2
4	ADCA P10 Air Filter Regulator
5	Ball Valve
6	Limit Switch