

WATER SEAL POT POT

DESCRIPTION

The ADCA POT is specially designed to protect the actuator's diaphragms of RP45 pressure regulators, when the media temperature exceeds their maximum operating temperatures.

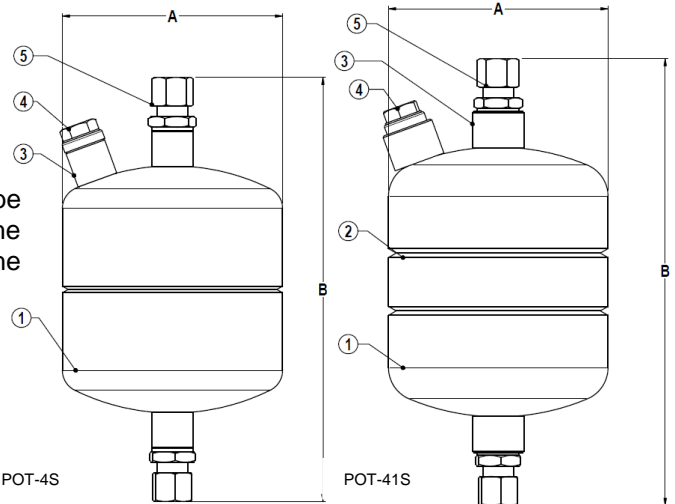
OPTIONS: Bigger sizes for special applications or when there is quick pressure or flow rate fluctuation.
Different connection sizes and materials under request against extra price.

USE: Along with RP45 series pressure reducing valves.

AVAILABLE MODELS: POT-4S - PN16 steel construction.
POT-4SS – PN16 stainless steel.
POT-41S – PN40 carbon steel.

SIZES AND CONNECTIONS: 3/8" female screwed ISO7/1 Rp (BS21).
(Compression fittings – 3/8" x 10).

INSTALLATION: Connection to the steam pipe must be always depressurized when filling the vessel with water, in order to avoid the risk of scalding. See RP45 IMI.



CE MARKING (PED – European Directive)	
PN16 / PN40	Category
3/8"	SEP

LIMITING CONDITIONS **								
MODEL	PRESS. (bar)	TEMP. (°C)	MODEL	PRESS. (bar)	TEMP. (°C)	MODEL	PRESS. (bar)	TEMP. (°C)
POT-4S PN16	16	50	POT-4SS PN16	16	50	POT-41S PN40	40	50
	14	100		16	100		37	100
	13 *	195		13 *	195		31 *	239
	12	250		12	250		27	300

DIMENSIONS (mm)				
MODEL	A	B	VOL (L)	WGT. (kg)
POT-4S	114	224	1,3	1,9
POT-4SS	114	226	1,3	1,9
POT-41S	114	232	1,3	2,8

*PMO: Max. operating pressure for saturated steam. Minimum operating temp.: -10 °C.
Design code: AD-Merkblatt; ** Rating according to EN1092:2018.

MATERIALS				
POS. Nº	DESIGNATION	MATERIAL POT-4S	MATERIAL POT-4SS	MATERIAL POT-41S
1	Heads	S235JRG2 / 1.0038	ASTM A403 WP316L	EN10028-2 / P265GH / 1.0425
2	Pipe	/	ASTM A312 TP316L	EN10216-2 / P235GH / 1.0325
3	Sockets	ASTM A105 / 1.0432	AISI 316 / 1.4401	S355J2G3 / 1.0570
4	Plug	ASTM A105 / 1.0432	AISI 316 / 1.4401	ASTM A105 / 1.0432
5	Compression fitting	Fe/Zn – ISO 2081 – Cl. L	316Ti / 1.4571 – Cl. L	Fe/Zn – ISO 2081 – Cl. L